

## MOBILEGO

### MOBILE FILTER UNIT WITH HOSE TUBE ARM

The MobileGo is a mobile welding fume filter with built-in fan and a hose tube arm (EconomyArm). It contains a disposable filter package.

Thanks to the four transport wheels (two of which are swivel casters with brake), the MobileGo is suitable for use in relatively small facilities or near sources of pollution without a fixed location.

The MobileGo is an entry level extractor. It has been designed for the consumption of approx. 1 coil of solid wire or 7,5 kg/16.5 lbs of electrodes per month and TIG welding.



### APPLICATIONS

The MobileGo is intended to be used for the following applications:

- MIG-MAG/GMAW welding
- TIG welding
- FCAW welding
- stick/MMAW welding
- grinding
- polishing
- finishing



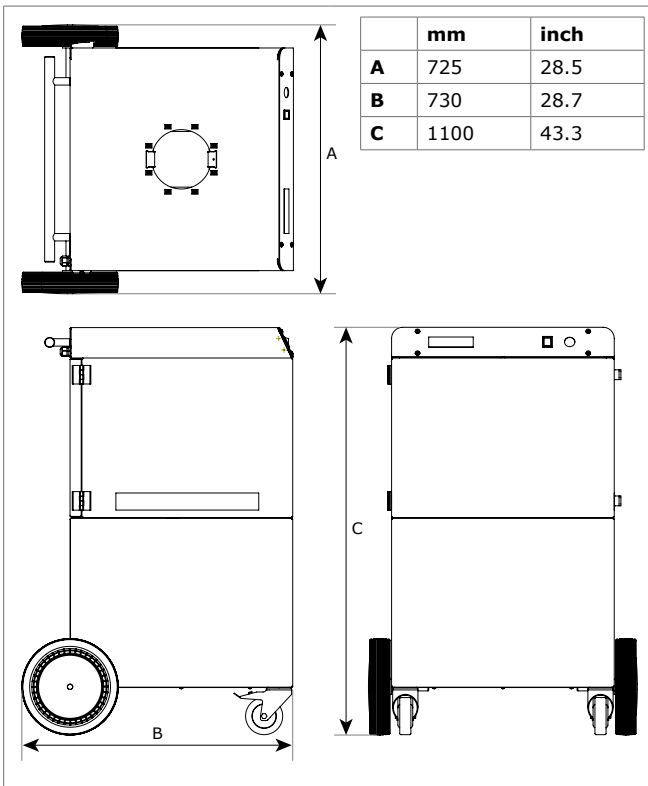
### SPECIFICATIONS

■ Physical dimensions and properties	
Material (housing):	electro-zinc coated steel (according to DIN EN 10152)
• steel grade	• DC01+ZE
• steel grade no.	• 1.0330
Colour	yellow RAL 1004 grey RAL 7011
Weight (net), excl. arm	84 kg (185 lbs)
Mains cord:	
• type	• 3G1.5
• length	• 6 m (20 ft)
■ Extraction arm	
Type	EconomyArm (EA)
Material	hose tube
Diameter	Ø 160 mm (6.3 in.)
Hood opening	Ø 300 mm (11.8 in.)
Length:	
• EA-2	• 2 m (6.6 ft)
• EA-3	• 3 m (9.8 ft)
Weight:	
• EA-2	• 11 kg (24.3 lbs)
• EA-3	• 13 kg (28.7 lbs)
■ Filters	
Pre filter cassette:	
• material	• polyester
• filter surface	• 1 m <sup>2</sup> (10.8 ft <sup>2</sup> )
• filter class	• G4 according to EN 779
• washable	• no
HEPA filter cassette:	
• material	• glass fibre
• filter surface	• 15 m <sup>2</sup> (161 ft <sup>2</sup> )
• filter class	• HEPA E12 according to EN 1822:2009

• washable	• no
■ Welding fume class	
W3	according to ISO 15012-1:2013
■ Performance	
Fan type	radial
Extraction capacity (incl. extraction arm)	max. 850 m <sup>3</sup> /h (500 CFM)
Fan speed	2800 rpm
Noise level (according to ISO 3746)	67 dB(A)
■ Electrical data	
Power consumption	1,1 kW (1.5 HP)
Available connection voltages	• 115V/1ph/50Hz (115) • 115V/1ph/60Hz (116) • 230V/1ph/50Hz (215)
Motor design	IEC
Energy efficiency	<i>n.a. for single phase motors</i>
Plug:	Type:
• 115V/1ph/50Hz	• none
• 115V/1ph/60Hz	• none
• 230V/1ph/50Hz	• F
■ Ambient and process conditions	
Process temperature:	
• min.	• 5°C (41°F)
• nom.	• 20°C (68°F)
• max.	• 70°C (158°F)
Max. relative humidity	90%
Suitable for outdoor use	no
Storage conditions	• 5-45°C (41-113°F) • relative humidity max. 80%
■ Options and accessories	
MobileGo-AC/2m (215)	MobileGo with an activated carbon filter instead of a HEPA filter
MobileGo-AC/3m (215)	
■ Scope of supply	
Mobile filter unit – Extraction arm (pre-assembled; excl. hose tube) – Hose tube – Hose clamp (2) – Rotating flange – Arm swivel ring, incl. rubber collar – Extraction hood – Hood collar with safety mesh – Mounting material	

Type	MobileGo/2m			MobileGo/3m		
Connection voltage	115V/1ph/50Hz	115V/1ph/60Hz	230V/1ph/50Hz	115V/1ph/50Hz	115V/1ph/60Hz	230V/1ph/50Hz
<b>Order information</b>						
Article no.	0000111450	0000111451	0000111449	0000111471	0000111472	0000111470
• MobileGo-AC			0000112350			0000112353
Number/package	1	1	1	1	1	1
<b>Logistics data</b>						
Gross weight						
Packing dimensions						
Max. number/pallet	2			2		
Harmonized Tariff Code	84213925			84213925		

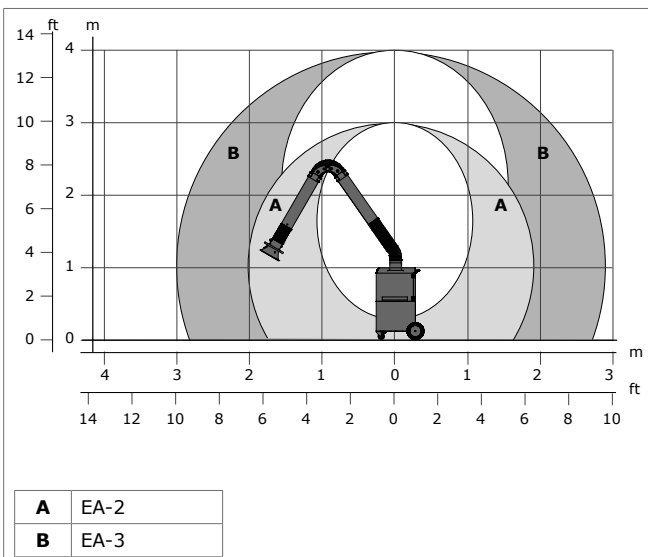
## DIMENSIONS





## FEATURES & BENEFITS



## WORKING RANGE



## APPROVALS/CERTIFICATES

	
	Directive 2011/65/EC (RoHS) valid as of 8 June 2011

### Application restrictions

Do **not** use the product for the following applications or in the following circumstances: polishing applications in combination with grinding, welding or any other application that generate sparks (fibres from polishing or abrasive flap disks are highly flammable and pose a high risk of filter fires when exposed to sparks) | aluminium laser cutting | oil mist | heavy oil mist in welding fume | arc-air gouging | extraction of aggressive fumes and gases (e.g. from acids, from alkaline, from soldering paste containing lithium) | extraction of hot gases (more than 70°C/158°F continuously) | grinding aluminum and magnesium | flame spraying | extraction of cement, saw dust, wood dust etc. | sucking cigarettes, cigars, oiled tissues and other burning particles, objects and acids | explosive environments or explosive substances/gases

Product type	<b>MobileGo</b>
Article no.	<i>refer to Order information</i>
Product category	mobile filter units
Version	280917/E

Always check the latest version on [www.plymovent.com](http://www.plymovent.com)