

HTA-200/190

HIGH TEMPERATURE ALUMINUM NOZZLE WITH CLAMP

The aluminium HTA nozzle is build to operate in vehicle work stations were medium to large vehicles are serviced. With a sturdy aluminium design the nozzle is low weight but able to handle the higher temperatures of exhaust gases that these larger vehicles produce. The robust clip enables the nozzle to clamp fixed to the tailpipe ensuring the hose and nozzle remain fixed to the vehicle even when a vehicle is positioned on a lift.



APPLICATIONS

The HTA is intended to be used for the following applications:

- for use with Ø 200 mm/8" hoses



Do **not** use the HTA for the following applications or in the following circumstances:

- hoses other then Ø 200 mm/8"



SPECIFICATIONS

Physical dimensions and properties

Material	aluminum nozzle and clamp
Colour	silver
Weight	2,2 kg

Performance

Includes opening for test probes

Ambient conditions

Outdoor use allowed	no
Storage conditions	dry conditions
Exhaust pipe opening	Ø 190 mm

Product combinations

To be used in combination with a exhaust removal hose Ø 200 mm / 8"

Scope of supply

HTA nozzle incl clamp

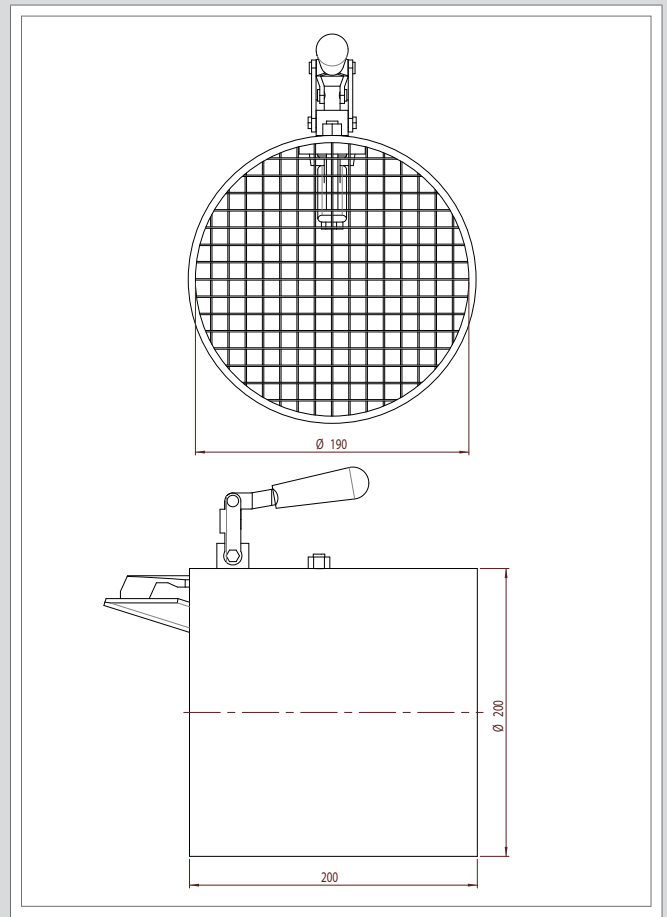
Order information

Article number	90260-1011
Number/package	1 per package

Shipping data

Gross weight	2,45 kg
Packing dimensions	320 x 225 x 250 mm
Harmonized Tariff Code	8421 39 80 90
Country of origin	Germany

DIMENSIONS



Product type	HTA
Article no.	refer to order information
Product category	nozzles
Version	291111/0

Always check the latest version on www.plymovent.com.