

MAGNETIC GRABBER®

VEHICLE EXHAUST REMOVAL SYSTEM

The Magnetic Grabber is a patent pending vehicle exhaust removal device that through a conical design, integrated magnets and centre self-alignment, provides very quick, easy and controlled connection and disconnection to a vehicle's exhaust system. This nozzle is used mainly in areas where the vehicle is moving through an enclosed space, like fire stations.



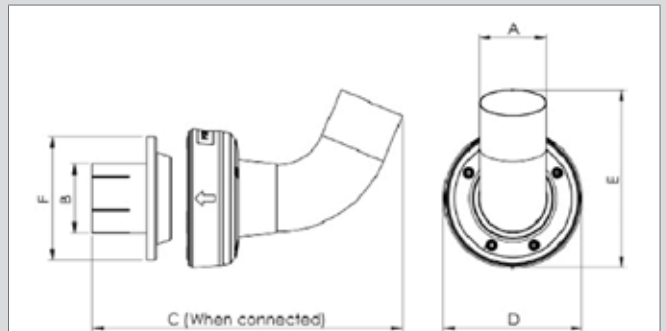
SPECIFICATIONS

■ Physical dimensions and properties	
Material	<ul style="list-style-type: none"> zinc plated steel stainless steel
Colour	polished stainless steel and matt steel cladding
■ Scope of supply	
Tailpipe connector - Nozzle - Balancer locking cable	
■ Order information	
Article number	see remaining specifications
Number/package	1
■ Shipping date	
Packaging	Bubble wrap
Gross weight	see remaining specifications
Packaging dimensions	see remaining specifications
Harmonized Tariff Code	8421 99 00 99
Country of origin	Sweden

REMAINING SPECIFICATIONS

Article number	Description	Gross weight
90390-1011	75 mm/3" SBT	3.0 kg - 6.6 lbs / 1.35 kg - 3.0 lbs
90392-1011	75 mm/3" STR	3.2 kg - 7.0 lbs / 1.05 kg - 2.3 lbs
90380-1011	100 mm/4" SBT	3.5 kg - 7.7 lbs / 1.05 kg - 2.3 lbs
90382-1011	100 mm/4" STR	3.6 kg - 7.9 lbs / 1.05 kg - 2.3 lbs
90360-1011	125 mm/5" SBT	4.0 kg - 8.8 lbs / 1.4 kg - 3.1 lbs
90362-1011	125 mm/5" STR	4.1 kg - 9.0 lbs / 1.4 kg - 3.1 lbs

DIMENSIONS



A	100 mm/4"	
B	90390-1011/90392-1011	75 mm/4" Connector
	90380-1011/90382-1011	100 mm/4" Connector
	90360-1011/90362-1011	125 mm/5" Connector
C	75 mm/3" version	381 mm/15"
	100 mm/4" version	426 mm/16.8"
	125 mm/5" version	440 mm/17.3"
D	75 mm/3" version	190 mm/7.5"
	100 mm/4" version	212 mm/8.3"
	125 mm/5" version	253 mm/9.9"
E	75 mm/3" version	260 mm/10.2"
	100 mm/4" version	271 mm/10.6"
	125 mm/5" version	293 mm/11.5"
F	75 mm/3" version	164 mm/6.5"
	100 mm/4" version	184 mm/7.2"
	125 mm/5" version	228 mm/9"

Product type	MAGNETIC GRABBER®
Article no.	see remaining specifications
Product category	Nozzles
Version	220311/A

Always check the latest version on www.plymovent.com.